



Simulation of DAVIT

Date: Wednesday, August 12, 2020
Designer: Skyline Solidworks
Study name: Davit Arm Simulation
Analysis type: Static

Table of Contents

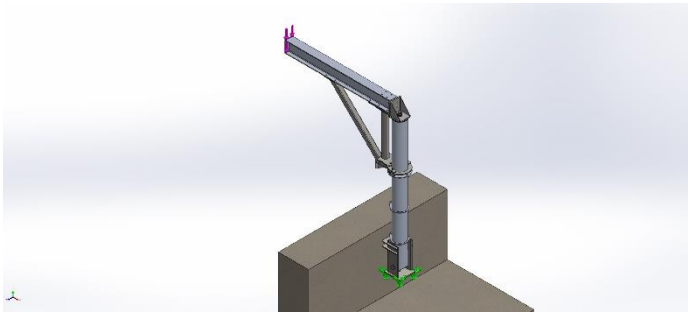
Description	1
Assumptions	2
Units	2
Loads and Fixtures	3
Study Results	4

Description

Rotating Davit Arm Design



Assumptions



Original Model



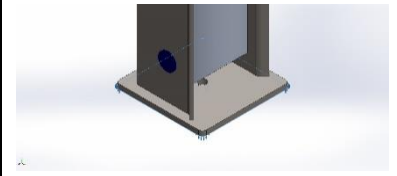
Model Analyzed

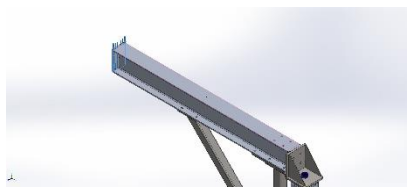
Units

Unit system:	English (IPS)
Length/Displacement	in
Temperature	Fahrenheit
Angular velocity	Hertz
Pressure/Stress	ksi



Loads and Fixtures

Fixture name	Fixture Image	Fixture Details		
Fixed-1		Entities: 1 face(s) Type: Fixed Geometry		
Resultant Forces				
Components	X	Y	Z	Resultant
Reaction force(lbf)	-0.000157794	5,000	-0.00054885	5,000
Reaction Moment(lbf.in)	0	0	0	8.85075e-33

Load name	Load Image	Load Details
Force-1		Entities: 1 face(s) Reference: Face< 1 > Type: Apply force Values: ---, ---, 5,000 lbf Moments: ---, ---, --- lbf.in



Study Results

